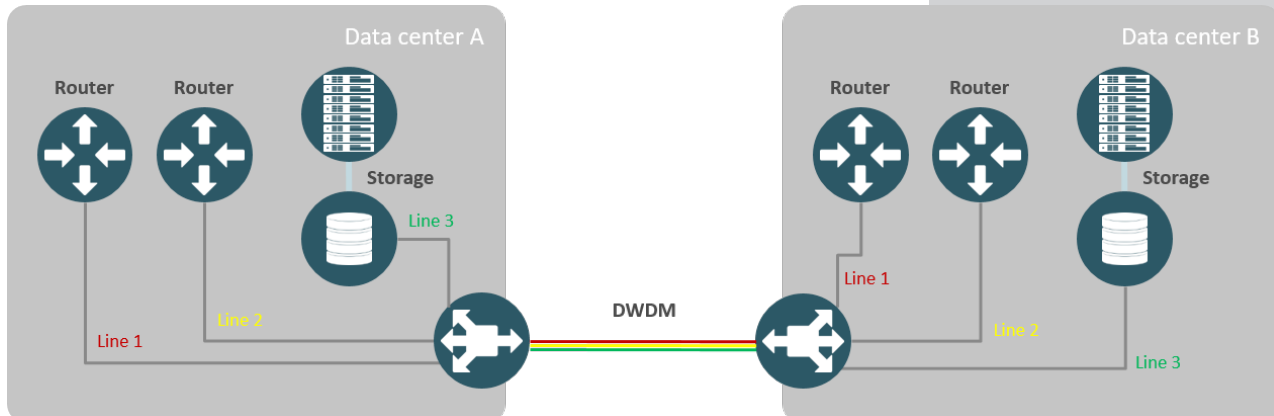




Layer 1 Line

Dedicated and fast location
low latency compound



Benefit from our experience and network know-how. We provide you with a managed Layer 1 connection between two of our data centers with dedicated bandwidth.

Benefits

- Highest security through a dedicated connection
- High availability due to the possibility of a redundant connection
- Dedicated bandwidths and low, assured latency times

Highlights

- Full Layer 2 transparency
- Clear route routing
- Secure connection between our certified German data centers
- Delivery as fiber optic cable in your rack

Details

With the Layer 1 line from noris network you receive a managed connection between two of our computer centres for point-to-point bit transmission. We provide you with a secure bandwidth and guarantee you short loading times. A Layer 1 connection can be offered within a city, but also between two cities. Within a city we use Fibre Channel, for a connection between two cities Ethernet is also possible.

This connection gives you complete Layer 2 transparency for the use of any network protocols such as LACP or STP.

When the connection is provided, you receive a handover protocol with documentation of the parameters latency and throughput, among others.

A distinction is made between the two protocols used, Fibre Channel and Ethernet, in the following table:

Layer 1 Line		
Minutes of meeting	Fibre Channel	Ethernet
Locations	Within a city	Within a city and between two cities
Bandwidths	4 Gbit/s, 8 Gbit/s und 16 Gbit/s	10 Gbit/s
Interfaces	<ul style="list-style-type: none"> ■ 4G: 4GFC-SW/LW ■ 8G: 8GFC-SW/LW ■ 16G: 16GFC-SW/LW 	10G: 10GBASE-SR/LR
Plug-in connection	LC	
Connectivity	Redundant	Redundant and not redundant

Interested?

We look forward to your inquiry!

noris network AG
 Thomas-Mann-Straße 16 - 20
 90471 Nuremberg, Germany

Phone +49 911 9352-160
 Fax +49 911 9352-100

productinquiry@noris.de
 www.noris.de

v1.0 20180117